



# ECR7

## THE ECR7 IS AN ELECTRIC CORD REEL SOLUTION DESIGNED SPECIFICALLY FOR THE UNIQUE NEEDS OF THE MEDICAL INDUSTRY.

### STATE OF THE ART TECHNOLOGY:

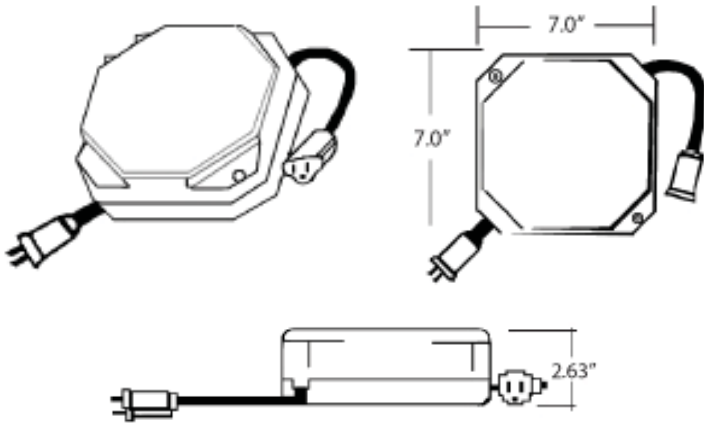
Telefonix® has successfully leveraged the power of its patented cord reel technologies to offer a truly unique cable management solution for electrical applications. The ECR 7 is a moisture and spark proof power cord reel designed with safety and refined space in mind. It is the perfect solution for medical environments, where loose electrical cable can be inconvenient or even a hazard.

### THE ECR 7 IS THE PERFECT SOLUTION FOR:

In-Room Computer Carts  
Mobile Computer and Equipment Carts  
Stretchers and Beds  
Patient Moving Systems



[www.telefonixinc.com](http://www.telefonixinc.com)  
847.244.4500



#### KEY FEATURES:

The ECR 7 cord reel platform features Telefonix's patented brushless cord reel technology and strain relief design which provide for uninterrupted signal transmission and ensure continued reliability. Traditional power cord reels use brushes or contacts, but the ECR 7 is different as the continuity is maintained by hard wire connections that are strain relieved. This makes for a product that can handle the demands of your complex applications.

#### ECR 7 BENEFITS:

- 15 Feet of Retractable Cable Extension
- Water & Spark Resistant
- Compact and Lightweight Design
- Hospital Grade Cable Connector Options

#### ADDITIONAL TELEFONIX PLATFORMS:

While the ECR 7 is Telefonix's newest cord reel platform, over the last 25 years, the company has perfected numerous cable management designs for low-voltage power and data applications in highly regulated industries. Please contact us for details on our cord reel platforms ranging in size from 1" to 5" or a custom solution to meet your needs.

Copyright © 2013 Telefonix, Inc. All Rights Reserved. Telefonix® is a registered trademark of Telefonix, Inc.  
This cord reel platform is covered by US Patent 8,387,763 B2 as well as additional patents pending.

## 7 Inch Cord Reel Platform

#### TYPICAL SPECIFICATIONS:

##### Electrical

Resistance: 0.1 OHM  
Amperage Rating: 12 Amps Max  
Voltage Rating: 120VAC

##### Environmental

Operating Temperature: 100°C max (rating dependent on temperature and airflow of the environment)  
Indoor and Outdoor Use: Suitable for water exposure, UV light and immersion in accordance with UL746C

##### Material

Housing: UL V0, 5VA Flame Retardant, UV Resistant Polycarbonate  
Jacket Material: Black Pressure Jacket  
Spring: Stainless Steel  
Available Colors: Black, White  
(custom colors available in high volume)

##### Physical

Dimensions: 7" W x 7" L x 2.63" D  
Retractable Cord Length: 15 ft. Max  
Retractable Cable: SJTW-A Cable  
Stationary Cable: 16 AWG SJT00W (1.5 in min, 6 ft max)  
Mounting Options: Holes Provided for ¼" to 6mm Screws for Mounting  
Connector Types: Standard and Hospital Grade Options Available  
Optional Internal Ratchet System

##### Warranty

12-Month Standard Warranty  
UL: Tested to UL355 Section 52, 53, & 54 and UL746C

#### PATENTED TECHNOLOGY

The ECR 7 is covered by US 8,387,763 B2 as well as additional patents pending.



www.telefonixinc.com  
847.244.4500